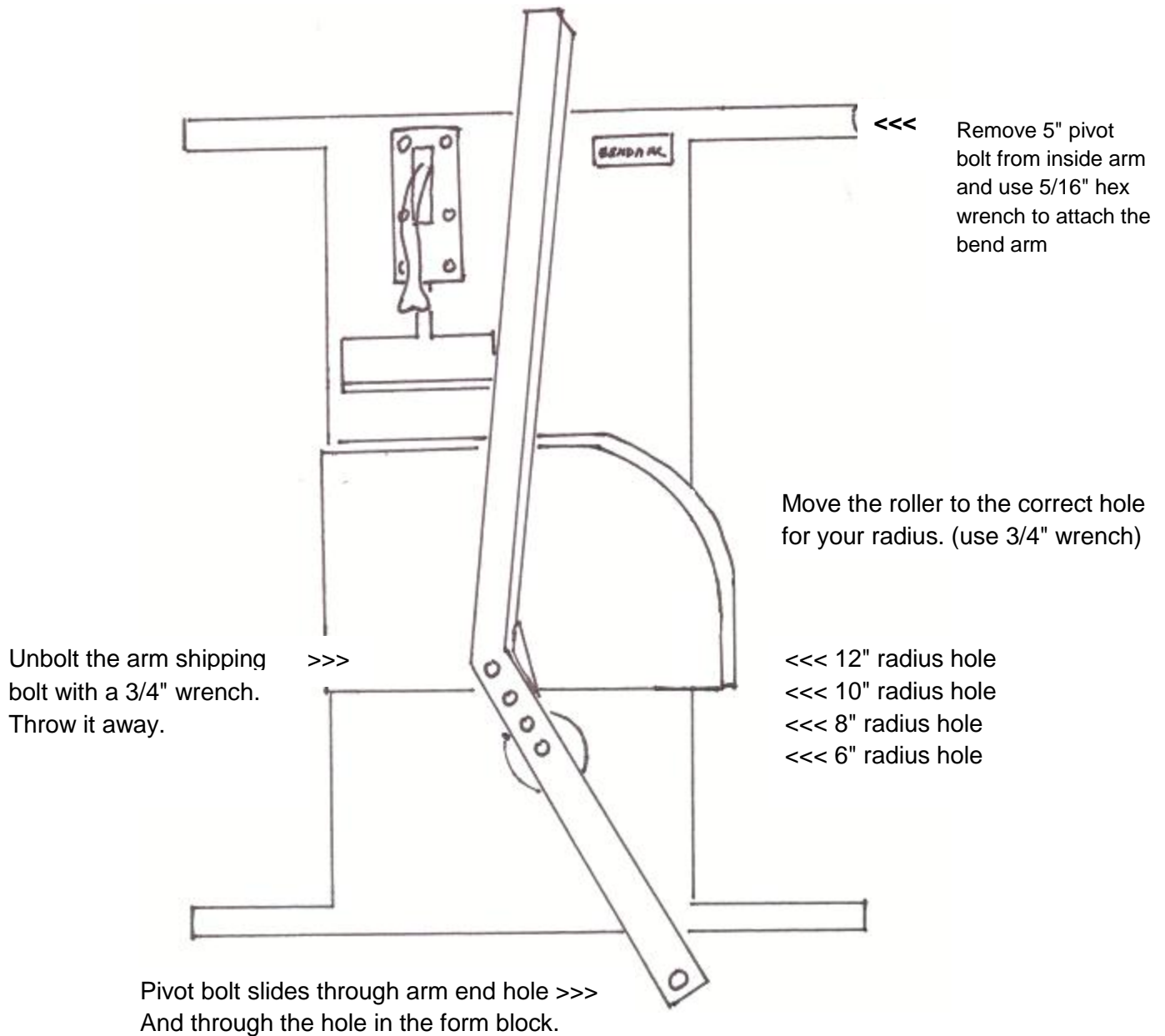
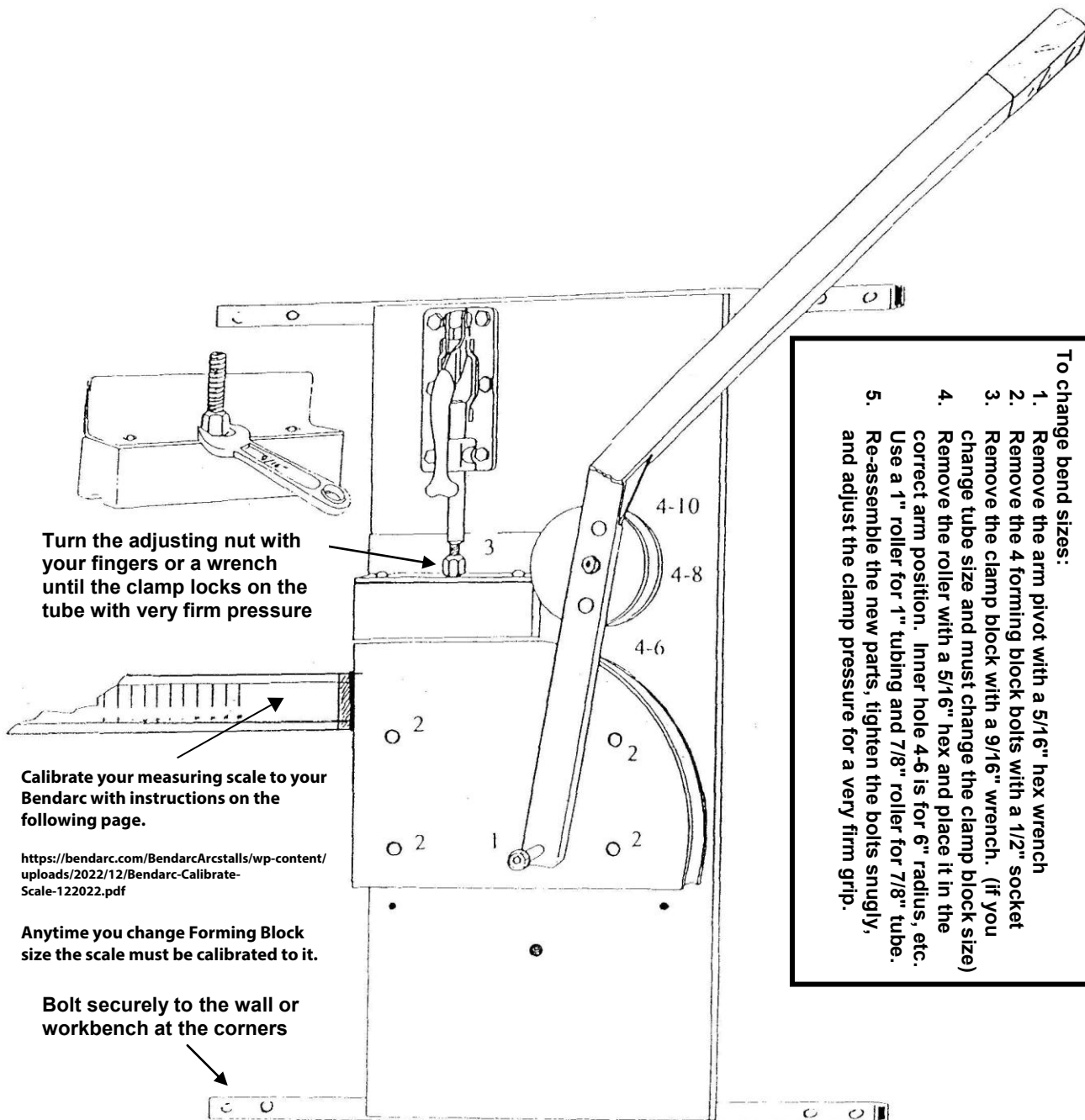


Bendarc

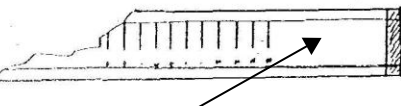
Assembly Instructions





- To change bend sizes:**
1. Remove the arm pivot with a 5/16" hex wrench
 2. Remove the 4 forming block bolts with a 1/2" socket
 3. Remove the clamp block with a 9/16" wrench. (if you change tube size and must change the clamp block size)
 4. Remove the roller with a 5/16" hex and place it in the correct arm position. Inner hole 4-6 is for 6" radius, etc. Use a 1" roller for 1" tubing and 7/8" roller for 7/8" tube.
 5. Re-assemble the new parts, tighten the bolts snugly, and adjust the clamp pressure for a very firm grip.

Turn the adjusting nut with your fingers or a wrench until the clamp locks on the tube with very firm pressure



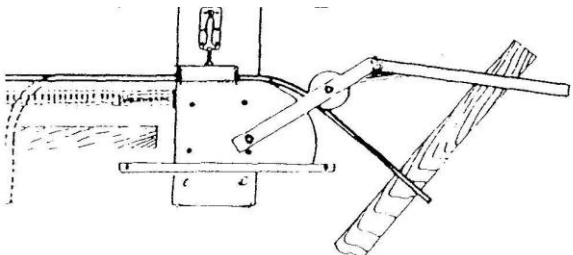
Calibrate your measuring scale to your Bendarc with instructions on the following page.

<https://bendarc.com/BendarcArcstalls/wp-content/uploads/2022/12/Bendarc-Calibrate-Scale-122022.pdf>

Anytime you change Forming Block size the scale must be calibrated to it.

Bolt securely to the wall or workbench at the corners

TWO PROPERLY PLACED PIECES OF WOOD CAN MAKE YOUR NEW BENDARC WORK EVEN BETTER

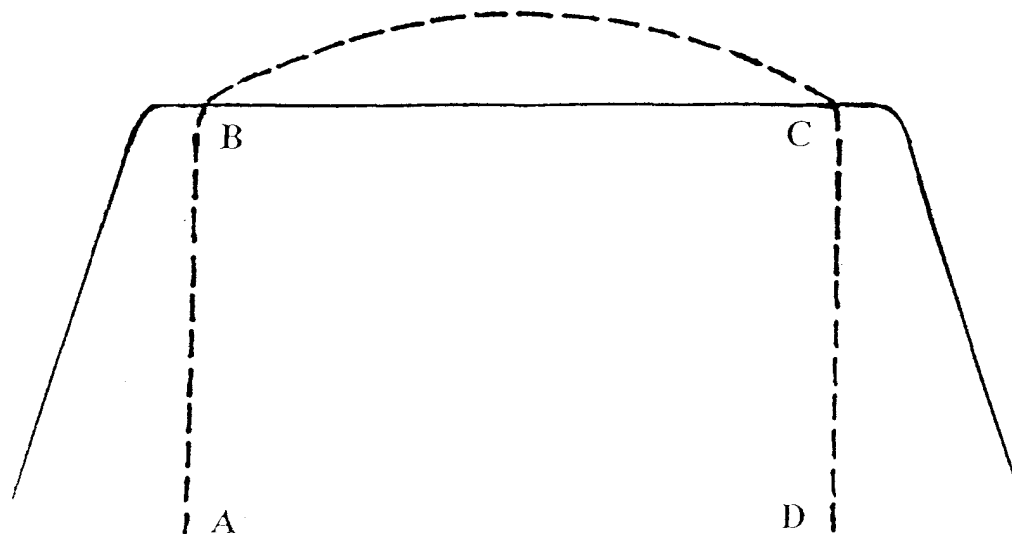


Screw a piece of wood to the wall so that the first bend comes down and lightly rubs against the wood. (Shim the wood out from the wall so the leg just brushes it as you bend.)

Place a second piece of wood on the wall to the left of your Bendarc. Mark sure it is exactly the same thickness with exactly the same shims as the piece on the right.

After you bend the first leg and turn the bow around, make sure it is tight against the left-hand piece. By keeping the first leg tight, the second leg will come down even with the first one.

(You can use washers behind the two boards to make them project out the correct distance. Please use two boards the same thickness with the same number of washers on each board. It's also a good idea to paint or varnish the boards to keep them from warping.)



Leave the legs high...
When you crown, they'll drop
And the width will shrink.

Here's a basic way to calculate your bow without crowning:

1. Measure the distance from A to B, from B to C, and from C to D and total these 3.
2. Subtract from this number:
 - 5" for a 6" radius Bendarc
 - 6⁷/₈" for an 8" radius Bendarc
 - 8¹/₂" for a 10" radius Bendarc
 - 10¹/₄" for a 12" radius Bendarc
3. Cut a piece of tubing that long **and mark the midpoint**.
4. Put the tubing in your Bendarc and align the midpoint mark with the number on the scale that's the same as the B to C distance (the width). Clamp & bend a leg.
5. Turn the tube around; **align the width mark again**, and bend the second leg.
6. It's important that the 1st leg bent is straight when it's turned so that the 2nd leg will come down in line with the 1st. Accurate guide boards (see page 1) will help.

Additional Tips:

If you crown your bow, you must allow for the arch. The crown (an upward curve in the B to C dimension) allows water to drain off the finished top. Crowning creates 2 changes: The B to C **dimension (width) shrinks**, and the **legs drop**.

To allow for the "shrink" in width (B to C), try adding 1/2" for every 15" of width.
Example for a bow that's 75" wide: $75/15 = 5$. $5 \times \frac{1}{2} = 2 \frac{3}{4}$. $75 + 2 \frac{3}{4} = 77 \frac{3}{4}$. So in this case measure, cut & bend the bow as if it were 77 ³/₄" wide, because when you crown the width will shrink toward the 75" you really need. **This is a guide not a hard rule**.
If you want a higher crown, try adding 1/2" for each 12" of width.

Crowning also drops the legs so **leave them high!** You can bend the legs down more, later if needed, but you can't raise them once they are bent.

Bendarc Periodic Maintenance

Remove the roller from the bend arm and apply a film of axle grease to the inside of the bushing. Do not get grease on the plastic surfaces. Spray silicone on the non-metallic part of the hole in the roller. Coat the long arm pivot with axle grease. Put a drop of light oil on the clamp pivots and shaft.

The polymer dies (non-metallic parts) will slowly deteriorate from pressure and UV rays. If your Bendarc is mounted outdoors, make a cover to shield it from the sun to prolong polymer life. Lifespan depends on frequency of use, type of metal bent, and exposure to the sun's UV rays. The polymer components usually last many years and replacement parts are available, but we've seen deterioration in only 2 years when mounted outside in full sunlight in far southern locations without being covered when not in use.